

## Bali® Heritage™ 2" Aluminum Blinds

### PART 1 - GENERAL

#### 1.01 DESCRIPTION

- A. Furnish and install Bali® Horizontal Louver Blinds, provided by Springs Window Fashions LLC, 7549 Graber Road, Middleton, WI 53562 in accordance with specifications, drawings and contract documents.

#### 1.02 SUBMITTALS

- A. Manufacturer's complete CSI 3-part specification sheet.
- B. Product Sample: Submit working hand sample or mock up blind as required.
- C. Color Sample: Submit two 6" samples of slat material indicating color and dimensions.

#### 1.03 DELIVERY, STORAGE AND HANDLING

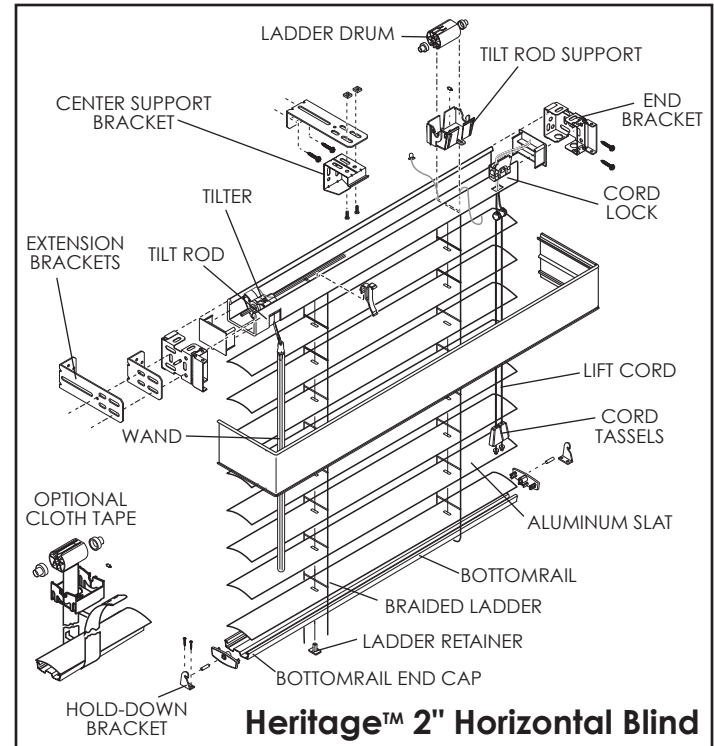
- A. Product to be delivered to jobsite in manufacturer's original packaging.
- B. Products to be handled and stored to prevent damage to materials, finishes and operating mechanisms. Store in a clean, dry area, laid flat to prevent sagging and twisting of packaging.

#### 1.04 PROJECT / SITE CONDITIONS

- A. Building shall be enclosed; and windows, frames and sills shall be installed and glazed.
- B. Wet work shall be complete and dry.
- C. Ceilings, window pockets, electrical and mechanical work above window covering shall be complete.
- D. Electrical power (110 volt AC) shall be available for installer's tools within 500 feet of product installation areas.

#### 1.05 QUALITY ASSURANCE

- A. Manufacturer, subsidiary or licensed agent shall be approved to supply the products specified and to honor any claims against product presented in accordance with warranty.
- B. Installer shall be qualified to install specified products by prior experience and approved by Springs Window Fashions LLC (SWF). Installer shall be responsible for acceptable installation in accordance with instructions published by SWF.



#### 1.06 LIMITED LIFETIME WARRANTY

- A. Springs Window Fashions LLC (SWF) warrants the product against original defects in materials or workmanship for the life of the blind. SWF does not warrant damage due to accidents, misuse, abuse, improper installation, alterations or improper cleaning. Detailed specifics of the warranty are available upon request.

### PART 2 - PRODUCTS

#### 2.01 ACCEPTABLE MANUFACTURERS

- A. Springs Window Fashions LLC or architect approved equal.
- B. Substitutions Request: Submit for approval under provisions of section 01600.

#### 2.02 HORIZONTAL BLINDS

##### A. Product: Bali® Heritage™ 2" Aluminum Blinds

- a. **SureClose® Headrail** shall be 1-5/8" high x 2-1/4" wide x .022" thick U-shaped steel with 1/8" light blocking lip on the bottom center line. The steel finishing process includes phosphate treatment for corrosion resistance, a chrome-free sealer, a low HAP urethane primer and a topcoat with low HAP polyester baked enamel.

### Bali® Heritage™ 2" Aluminum Blinds

- b. **Cord Tilter** shall be a snap-in component incorporating a worm and pulley of low-friction thermoplastic and a nylon gear. Standard tilt cords shall measure 1.8mm in diameter.
- c. **Tilt rod** shall be electro-zinc coated solid steel measuring 1/4" square.
- d. **Cord lock** shall be metal of a snap-in design incorporating a floating, shaft-type locking pin and shall incorporate a crash proof safety feature that will lock blind automatically upon release of cord.
- e. **Drums** shall be made of high strength thermoplastic, which securely anchors vinyl tapes.
- f. **Installation brackets** shall be a rivet-hinged front cover phosphate-treated steel and finished with a urethane primer and polyester baked enamel.
- g. **Braided ladder** shall be made of 100% polyester yarn incorporating two extra strength rungs per ladder for slat support. Standard ladder spacing shall be 44mm.
- h. **Slats** shall be 5000 series cold-rolled aluminum containing the maximum allowable recycled content to produce a high strength and corrosion resistant flexible product. Slats shall be nominally 2" wide x .008" thick and treated with Advanced Finishing Technology (AFT), providing a smooth, hard, less porous surface. AFT delivers anti-static performance to repel dust and anti-microbial qualities to resist fungal and bacterial growth. Slats shall be treated with a chrome-free sealer and a topcoat of low HAP polyester baked enamel.
- i. **Bottomrail** shall be "C" shaped 9/16" high x 2" wide x 0.40 thick anodized aluminum. It is fully enclosed with a dust cover slat and finished with a polyester baked enamel to match headrail.
- j. **Options** shall include:
  - i. Cloth tapes
  - ii. Wand filter
  - iii. Ring filter
  - iv. Ring pull
  - v. Extension brackets
  - vi. Hold down brackets
  - vii. Cut outs
  - viii. Deluxe 2 slat valance

#### 2.03 Fabrication

- A. Blinds shall be fabricated according to specifications and accurate to tolerance established by SWF engineering standards.

---

### Part 3 – EXECUTION

#### 3.01 Inspection

- A. Installer shall be responsible for inspection of jobsite, approval of mounting surfaces, verification of field measurements and installation conditions. Installation shall commence when satisfactory conditions are met.

#### 3.02 Installation

- A. Install blinds in accordance with manufacturer's instructions including recommended support brackets and fasteners.
- B. Install blinds with adequate clearance to permit smooth operation of the blinds. Demonstrate blinds to be in smooth, uniform working order.

#### 3.03 Maintenance and Cleaning

- A. Clean blinds with mild soap and water only. Do not use cleaning methods involving heat, bleach, abrasives, or solvents. Do not use window cloths with paper content. Use of these methods will void the warranty.