

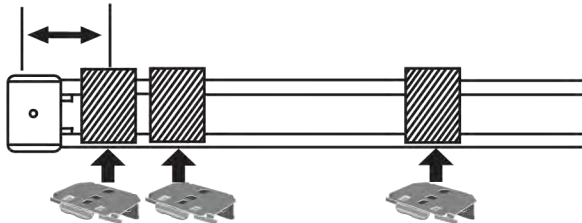
Cellular West Installation Instructions

BRACKET INSTALLATION

End Brackets should be located with centerlines $2\frac{1}{2}$ " in from each end.

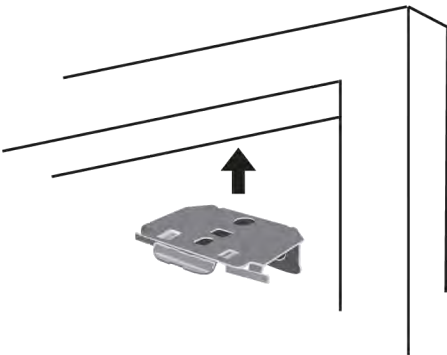
On standard rail shades over 84" wide it is recommended to use a second bracket located next to the end bracket at the Cord Lock.

On large rail shades over 40" wide it is recommended to use a second bracket located next



Depending on the width of the shade, additional brackets may be necessary evenly spaced between the two end brackets.

Using the Installation Brackets as a template, measure and mark the center lines. When mounting brackets, make sure they are in line and level.



INSIDE MOUNT

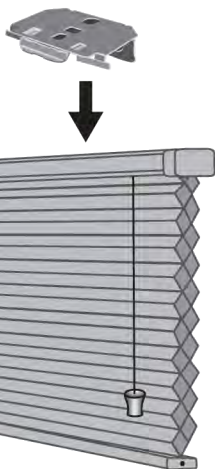
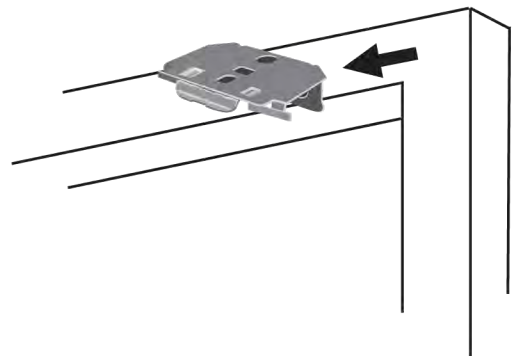
The brackets are mounted flat against the top sill surface.

To fully recess the shade requires a flat surface with a minimum depth of 2" for standard rail or $2\frac{1}{2}$ " for large rail.

Shallow mounting requires $\frac{1}{2}$ " minimum.

OUTSIDE MOUNT

The brackets are mounted with two screws through the black end of the bracket flat against the window molding or the wall above the window. The bracket requires a minimum surface $\frac{3}{4}$ " high.

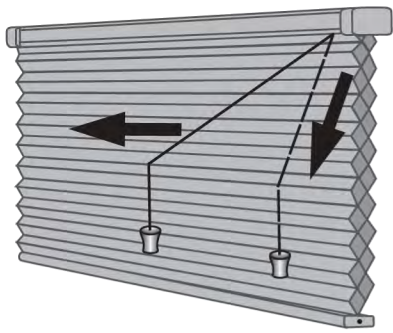


HANGING THE SHADE

Unwind the cord from the shade but keep the rubber band around the shade stack.

1. Hold the shade up near the brackets and insert the front clip of the bracket into the front groove of the rail.
2. Make sure the shade is centered in the window opening.
3. Push the rail back and up until the back clips of the bracket are inserted in the back groove of the rail.

Cellular West Installation Instructions



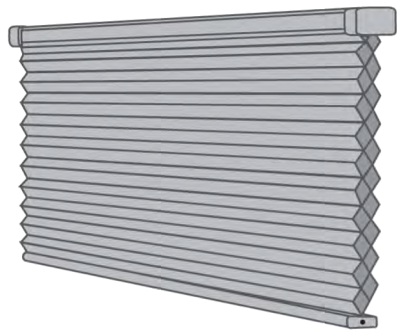
CORDLOCK OPERATION

To lower or release shade, pull the cord inward toward the center of the shade.

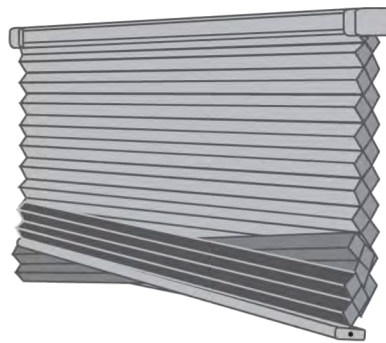
To raise or lock the shade, pull the cord straight down and outward toward the edge of the shade.

EZEQ – EQUALIZATION

Cellular shades use a system that allows easy leveling of the bottom rail. This applies only to Cellular shades. Pleated and pleated-cellular shades do not include the EZEQ system.



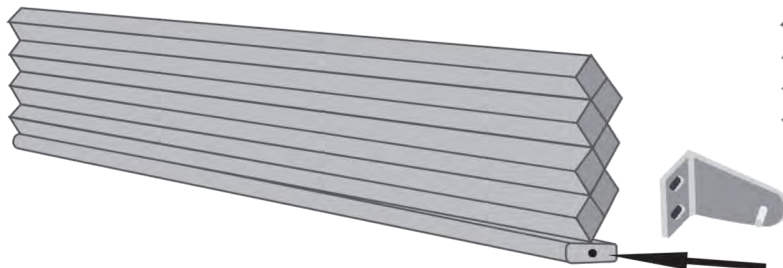
Stand in the center of the shade and grasp the bottom rail with both hands. Give the bottom rail a slight tug. This will fully engage the cord-lock.



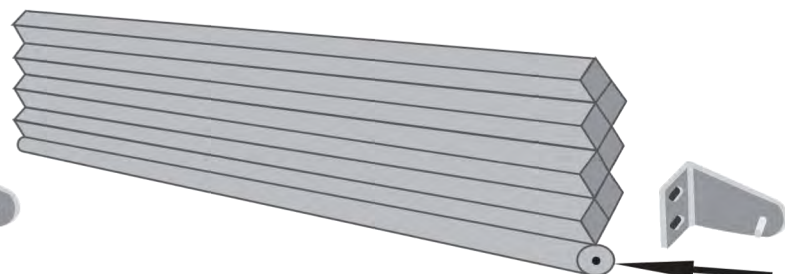
Position the rail as desired, by pulling down on the side that is to high.

HOLD DOWN BRACKET (optional)

Optional Hold Down Brackets are mounted with the supplied screws. With the shade at its proper drop, place the pin of each Hold Down into the hole in each End Cap and mark the screw holes. Make sure the pins are level and aligned. Raise the shade, then screw the Hold Down Bracket into the mounting surface.



Cellular and Pleated Shades



Pleated Cellular Shades